

PROJECT	QUANTITY	ITEM NO
---------	----------	---------

Merchandiser Bases

HMR pedestal base

PBB 190



PBB 190 pedestal base shown with HMR 104 heated merchandiser

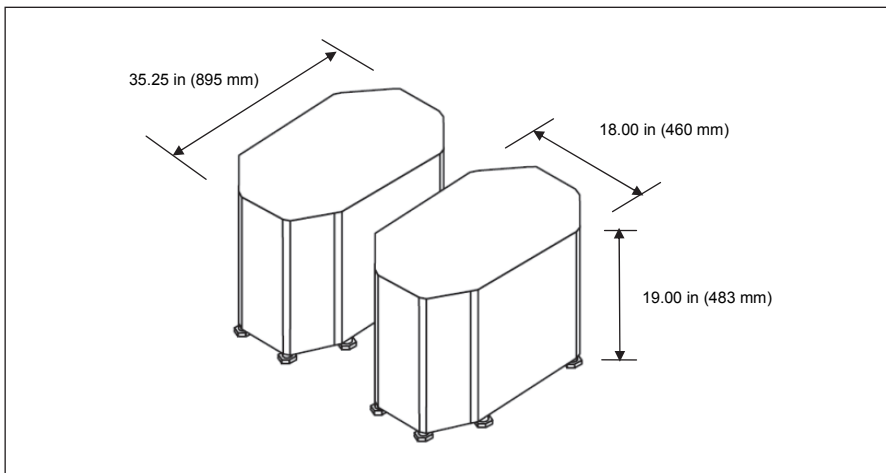
Henny Penny merchandiser bases offer an attractive and durable foundation for Henny Penny HMR merchandisers, either standalone or as part of a deli case line.

The HMR pedestal base is made up of two or three pedestals for an open, contemporary look. Pedestals feature distinctive faceted design and are available for all Henny Penny HMR heated merchandisers:

- HMR 103, 104, and 105 require 2 pedestals
- HMR 106 and 107 require 3 pedestals

Standard Features

- Rugged stainless steel construction for easy cleaning and long life
- Sturdy structural framework
- Recessed from case front to prevent grocery cart damage
- Snap-in panels
- Adjustable leveling feet
- Standard finishes: white, cream, or stainless steel
- Custom color panels and bumper colors available to match store décor



Bidding Specifications

Provide Henny Penny model PBB 190 pedestal merchandiser bases for use with Henny Penny HMR heated merchandiser, sold separately.

Unit shall incorporate:

- Stainless steel exterior
- Structural steel interior framework
- Leveling feet
- 2 pedestals for each 3, 4, or 5-well merchandiser; 3 pedestals for each 6 or 7 well merchandiser
- Connector kit for each set of merchandiser pedestals

Dimensions per pedestal

Height 19.00 in (483 mm)
Width 18.00 in (460 mm)
Depth 35.25 in (938 mm)

Crated 1 pedestal per box

Length 39 in (990 mm)
Depth 22 in (560 mm)
Height 23 in (580 mm)
Volume 11 ft³ (0.3 m³)
Weight Contact Henny Penny

2 pedestals required for:
HMR 103, HMR 104, HMR 105,
HMR 123, HMR 125

3 pedestals required for:
HMR 106, HMR 107, HMR 127

Laboratory certifications



Continuing product improvement may subject specifications to change without notice.

<input type="checkbox"/> APPROVED	<input type="checkbox"/> APPROVED AS NOTED	<input type="checkbox"/> RESUBMIT
AUTHORIZED SIGNATURE		DATE

Henny Penny Corporation
PO Box 60 Eaton OH 45320 USA

+1 937.456.8400 800.417.8417
+1 937.456.8434 Fax 800.417.8434 Fax
+1.800.417.8405 Technical Support

www.hennypenny.com

HENNY PENNY
Engineered to Last